

KA-A4 Height Adjustable Monitor Mount

Features

- Free-stop function in the swivel, tilt, and pivot directions.
- Monitor height can be adjusted manually

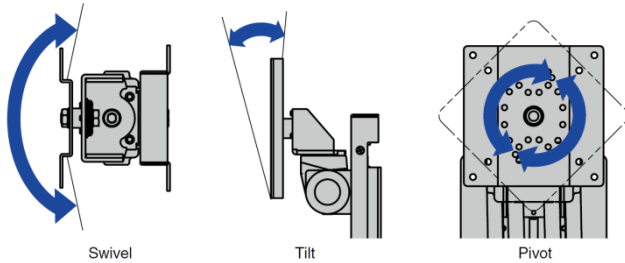
Notes

- Compliant with chemSHERPA
- Compliant with VESA standard (hole pitch 75x75mm, 100x100mm)
- Monitor Weight 3 - 5kg
- Lifting Stroke: 150mm

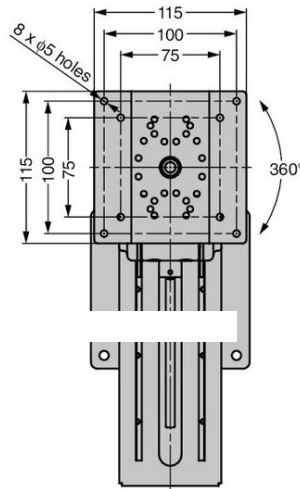
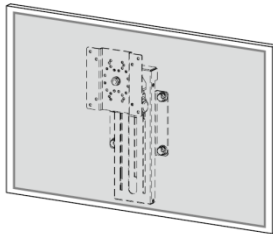
Parts Included

- Hex key
- Hexagon Socket Head Cap Screw M4×10, M4×12

Movable Direction Stops at any position.

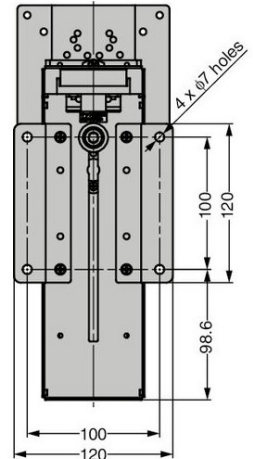
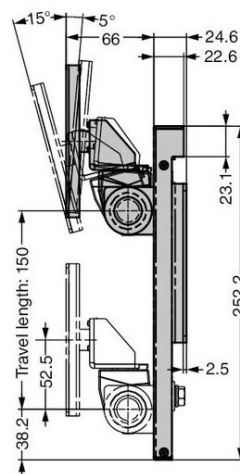
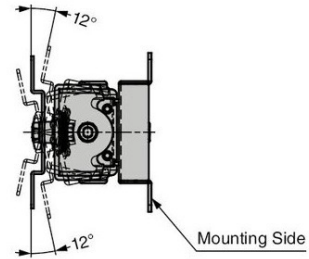


Monitor Mounting Image



Black

Light Grey



Part No.	Colour	Material	Torque (Swivel)	Torque (Tilt)	Torque (Rotation)
KA-A4-0511-BL	Black	Steel	2 N.m	7 N.m	4.5 N.m
KA-A4-0511-LGR	Light Grey				